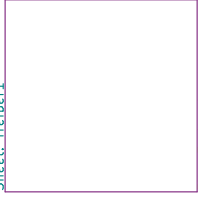
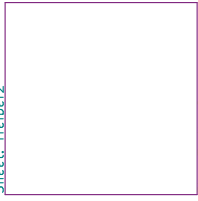


Sheet: Treiber1



File: Treiber1.sch

Sheet: Treiber2



File: Treiber2.sch



H1

MountingHole_Pad



H2

MountingHole_Pad



H3

MountingHole_Pad



H4

MountingHole_Pad

Output response time ~50nS
I @18V: 0,96A+22mA
I @10V: 22mA

Sheet: /
File: Treiber.sch

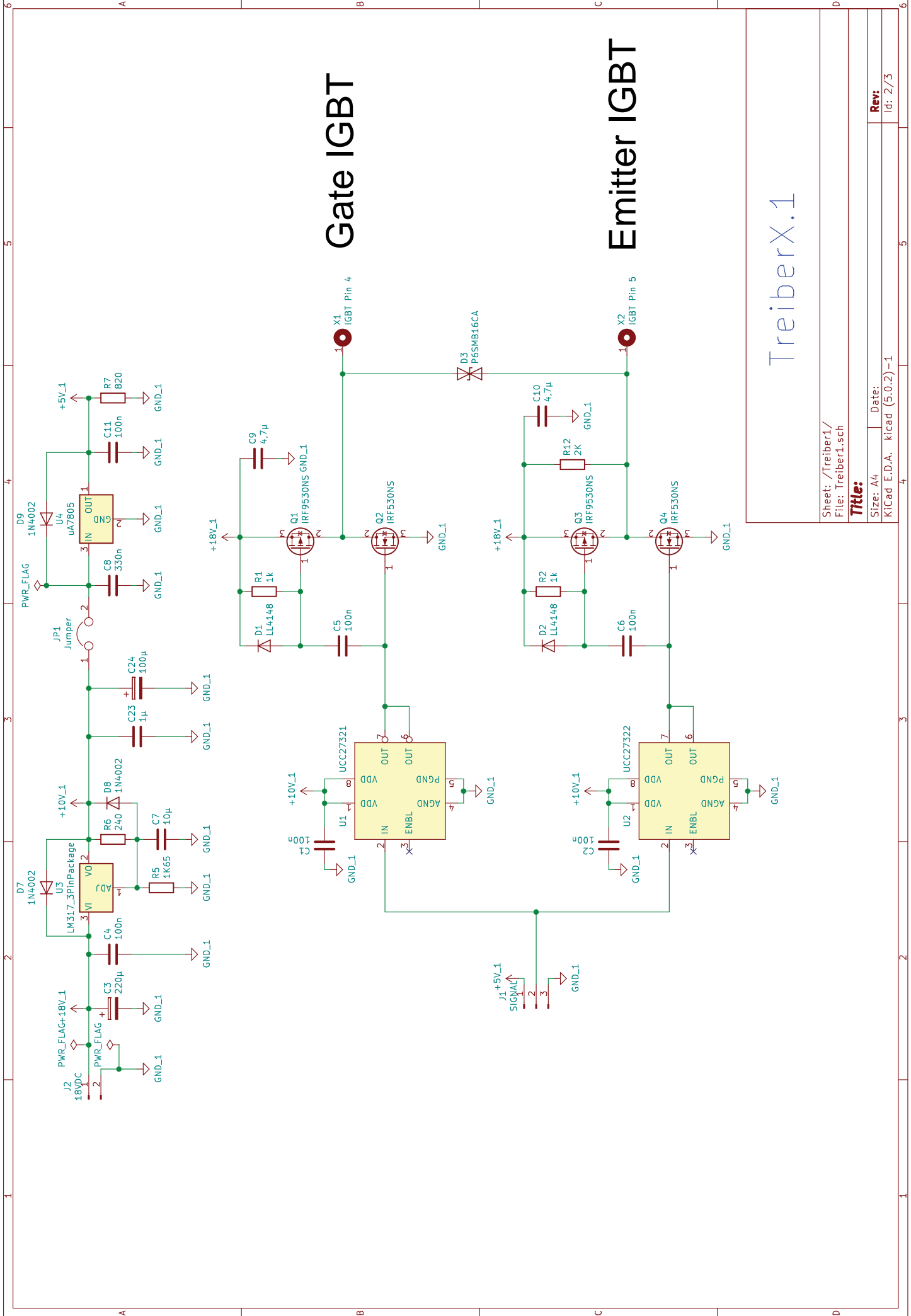
Title:

Size: A4 Date:

KiCad E.D.A. kicad (5.0.2)-1

Rev:

Id: 1/3



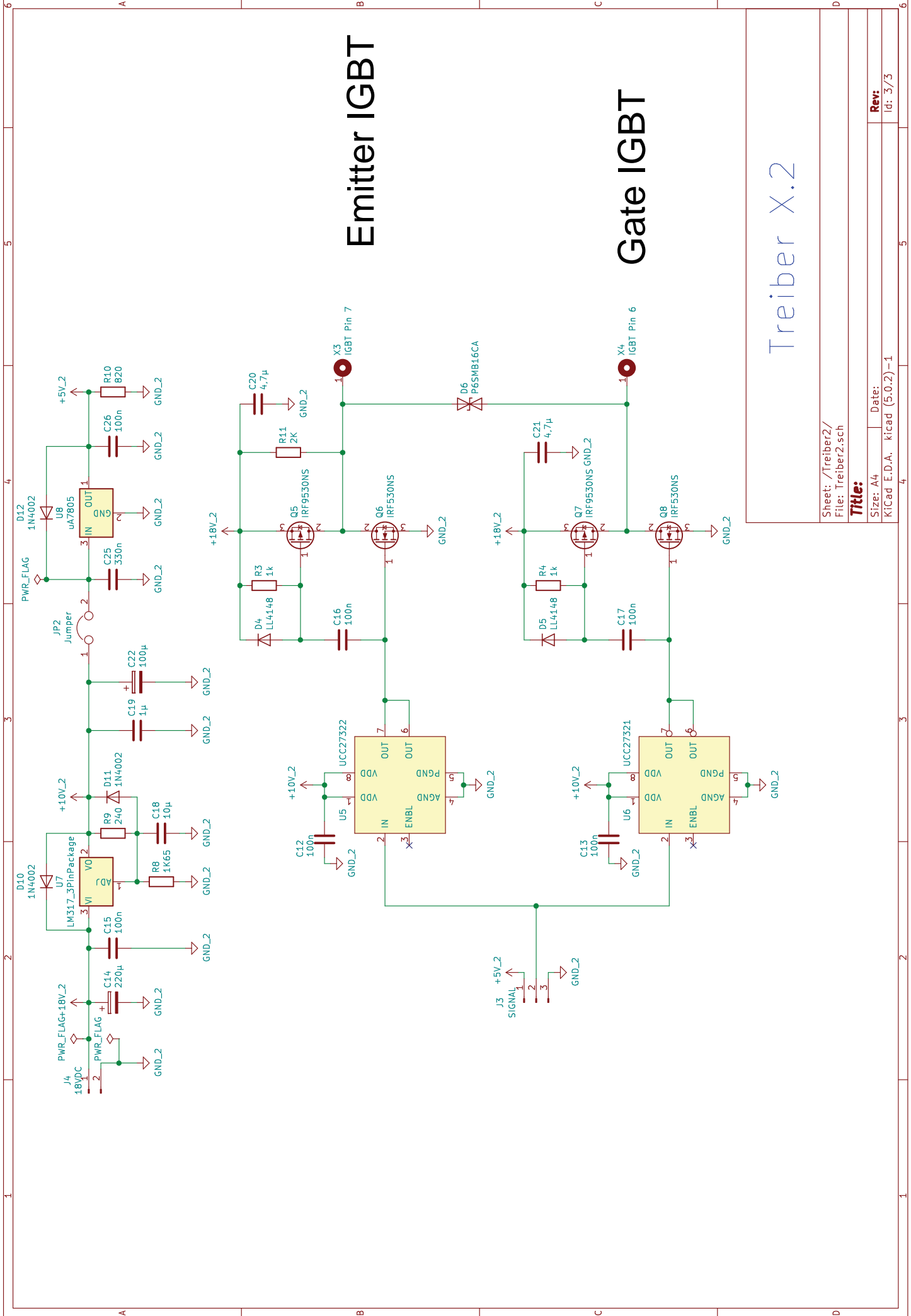
Gate IGBT

Emitter IGBT

TreiberX.1

| |
|---|
| Sheet: /Treiber1/ File: Treiber1.sch |
| Title: |
| Size: A4 |
| Date: |
| KiCad E.D.A. kicad (5.0.2)-1 |

Rev: Id: 2/73



Emitter IGBT

Gate IGBT

Treiber X.2

| |
|------------------------------|
| Sheet: /Treiber2/ |
| File: Treiber2.sch |
| Title: |
| Size: A4 |
| Date: |
| KiCad E.D.A. kicad (5.0.2)-1 |
| Id: 3/3 |

Rev: